

USAGE:

SRNkp-24/400 switch disconnecter is used to switch on and switch off currents present in distribution network of medium voltage in the range to 400A, conduct fault currents to 16kA and make fault currents to 8kA.

We make switch disconnecters in the following varieties:

*For installation on reinforced poles, such as ŻN and BSW

- variety **A** - this type of a switch disconnecter is installed at the top of a pillar (on a cross-arm or KO-9 construction)
- variety **B** - this type of a switch disconnecter is installed on the leg of a pillar under conduits

*For installation on rotatory poles, such as E, E_M and EPV

- variety **C** - this type of a switch disconnecter is installed at the top of pillar (on a cross-arm)
- variety **C2** - this type of a is installed at the top of a double pillar
 - on a cross-arm PO-50 (conduit flat system) or
 - on a head GS-30 (conduit trigonal system)

In your order, please note the type of pole, on which the isolator will be installed.

- variety **D** - this type of an isolator is installed on the leg of a under conduits

The manufacture product consists of a connecting apparatus and strands.

The switch disconnecter can be set in motion with:

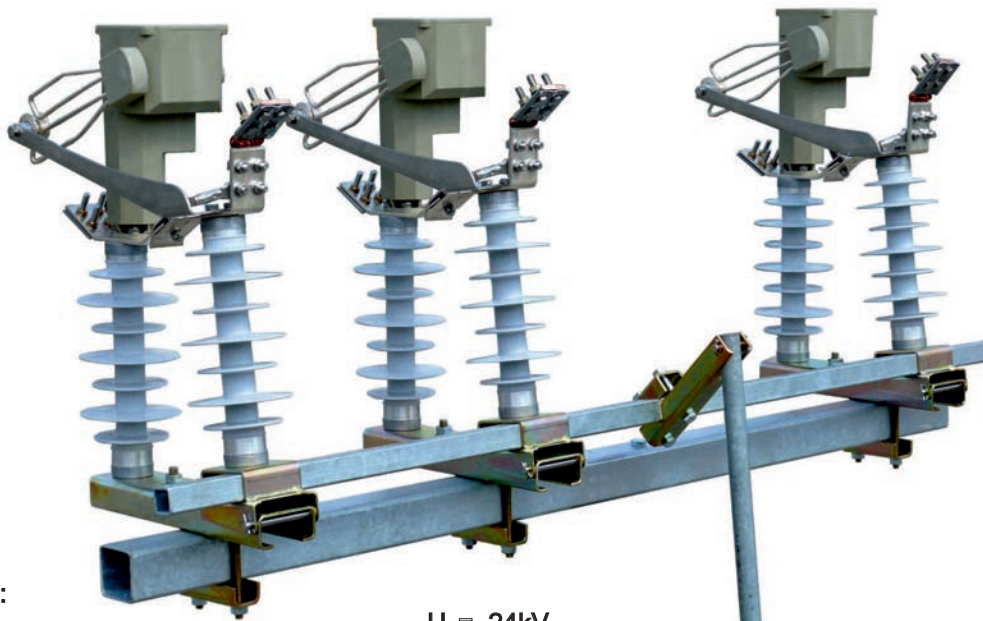
- a/ a hand drive NRkp-1 to A and B varieties or hand drive NRkp-1/O to C, C2 and D varieties
- b/ a motor drive NKM-1.2 or NKM-1.3

The apparatus has got copper contacts with silver plating.

Moving contacts are equipped with elastic terminals securing against fracturing the supply conduit.

There is a possibility of completing an isolator with additional retaining insulators or with overvoltage limiters.

The apparatus can be built on insulators with silicon sheds or on ceramic insulators

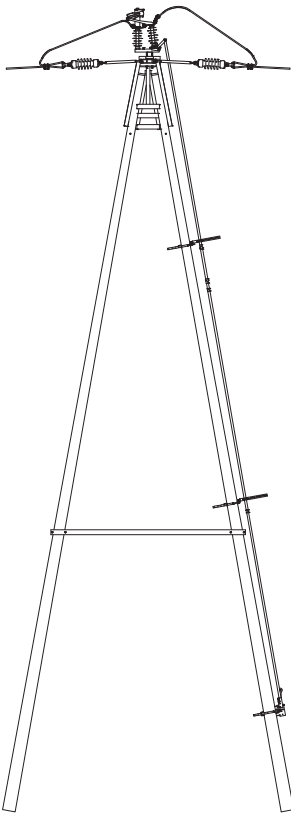


TECHNICAL DATA:

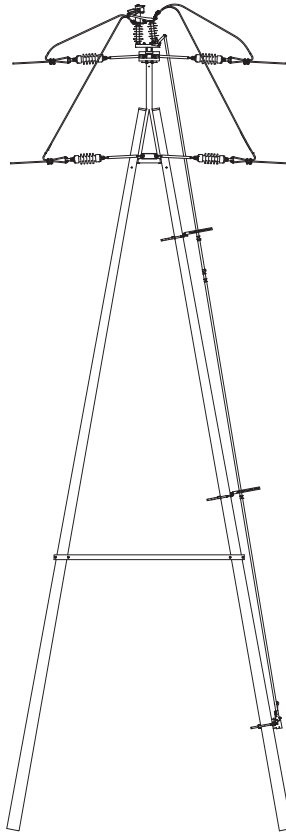
- rated voltage $U_r \equiv 24kV$
- percussive lightning voltage $U_p \equiv 125/145kV$
- stable rated current $I_1 \equiv 400A$
- short circuit rated current 1s $I_k \equiv 16kA$
- rated closing fault current $I_{ma} \equiv 8kA$
- rated breaking current in a circuit of small inductance $I_{/n} \equiv 400A/100$
- rated breaking charging current $I_{4a} \equiv 20A$
- rated breaking current of an earth fault $I_{6a} \equiv 60A$
- rated breaking charging cables and voltage lines current in condition of earth fault $I_{6b} \equiv 38A$
- switch disconnecter class - E3, M1
- operating lifetime - 2000 cycles
- switch disconnecter is equipped with vacuum chambers
- switch disconnecter fulfils PN-EN 60265-1 and PN-EN 60694 norms

Motor drive	NKM-1.3	catalogue nr 055 402
Motor drive	NKM-1.2	catalogue nr 055 402
Hand drive	NRkp-1/O	catalogue nr 050 402
Hand drive	NRkp-1	catalogue nr 050 401
D		053 441
C2		053 432
C		053 431
B		053 421
A		053 411
variety		catalogue nr

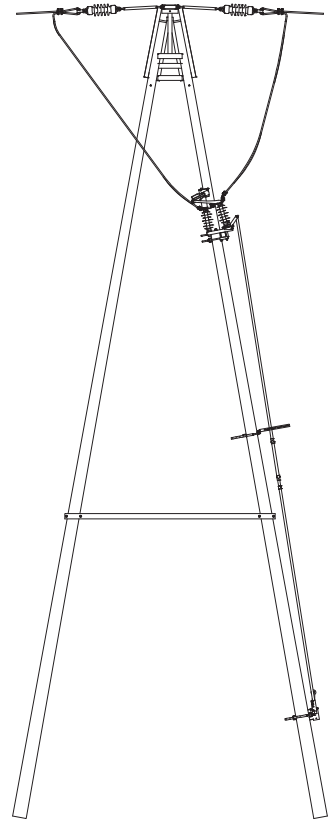
Overhead switch disconnecter type **SRNkp-24/400**



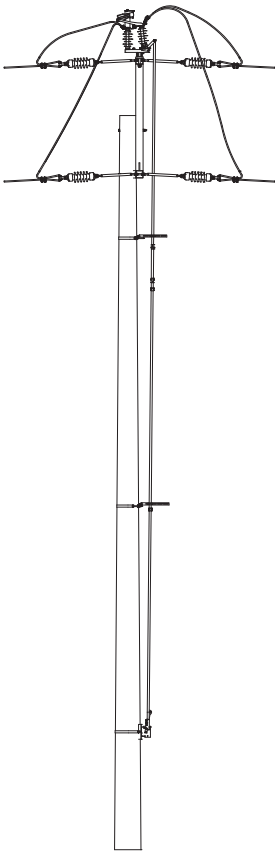
Switch disconnector on a cross-arm



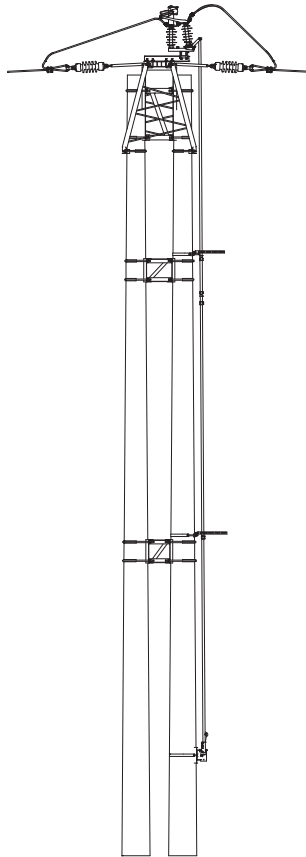
Switch disconnector on KO-9 construction variety **A**



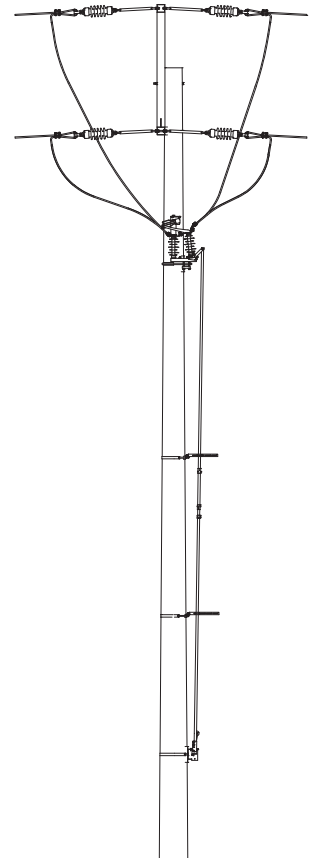
Switch disconnector on leg of a pillar variety **B**



Switch disconnector on the top of a rotatory pillar variety **C**



Switch disconnector on the top of a rotatory double pillar variety **C2**



Switch disconnector under conduits on a rotatory pillar variety **D**

Switch disconnector type SRNkp-24/400 installation techniques - examples